

USER MANUAL

cable light large

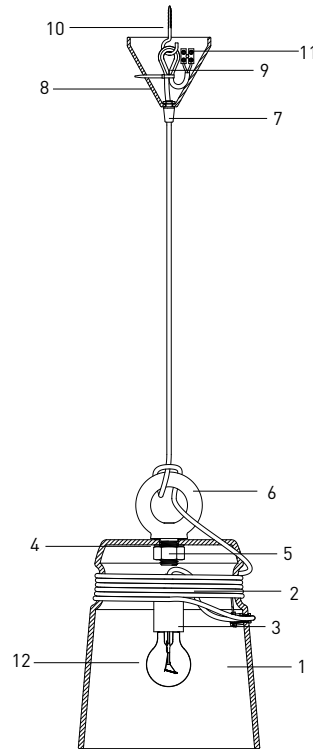


PATRICKHARTOG.

CABLE LIGHT LARGE, DESIGNED BY PATRICK HARTOG, 2014
©PATRICK HARTOG DESIGN 2015, WWW.PATRICKHARTOG.COM



40W = 5/6 W LED
lightbulb not included



PARTS & MATERIALS

1. Lampshade	porcelain
2. Powercable	textile covered, 2 meters, zebra
3. E27 Fitting	plastic, white
4. Ring	plastic, white
5. Nut	metal
6. DIN 580 Eye bolt	polished steel
7. Strain relief	plastic, transparent
8. Ceiling cap	porcelain, white
9. Suspension	metal
10. Screw hook	not included
11. Terminal block	plastic, white
12. Lightbulb	not included

BEFORE YOU START

- Please read the instructions carefully before you commence installation
- Retain this instruction booklet for future reference. If the product is sold, please ensure the booklet is left with the product for the benefit and safety of the new owner.

MAINTENANCE



- Because the ceramic cable light is not glazed it can get stained. Always handle the light with clean hands. If the shade gets dusty or stained, clean the dust of with a damp cloth. Never use a strong cleaning agent.
- Always switch off the electricity supply before cleaning!

WARNING

- Electricity can be dangerous. Before commencing installation, replacing the light bulb or cleaning, ensure electricity supply is disconnected at the terminal block with a voltage tester.
- The lighting is for use in a normal dry indoor domestic environment.
- Do not attempt to fit installation unless you are competent. If in any doubt, consult a qualified electrician to complete the electrical installation.
- Installation must comply with current IEE wiring regulations.
- The pendant has a maximum mechanical load of 5 kg. Do not exceed this load by hanging on the cable or pulling it.
- Only use light bulbs of 40 Watts or lower. The use of higher wattage light bulbs can result in high temperature of the lampshade.

INSTALLATION

- The Large Cable Light is made from breakable ceramic. Please handle the cable light with care to prevent damage.
- Always handle the cable light with clean hands to prevent stains.
- The lighting is for use in a domestic indoor environment.

BULB (RE)PLACEMENT

- Ensure electricity supply is disconnected at the fuse box!
- Only use E27/E26 light bulbs in the Cable light.
- Dispose of old bulbs with care.

IMPORTANT

- For your safety, if the electrical cable of the light is damaged, it should be completely replaced by the manufacturer or other qualified person.

DECLARATION OF CONFORMITY

Patrick Hartog Design, hereby confirms that the following product manufactured by Patrick Hartog Design in Rotterdam, under the name of

"Large Cable Light"

and consisting of the parts described in Appendix I, have been manufactured in conformity with the Low Voltage Directive 2014/35/EU.

The electrical fitting used in this products is tested according to IEC/ EN60238, test procedure used are S-mark and CE-LVD.

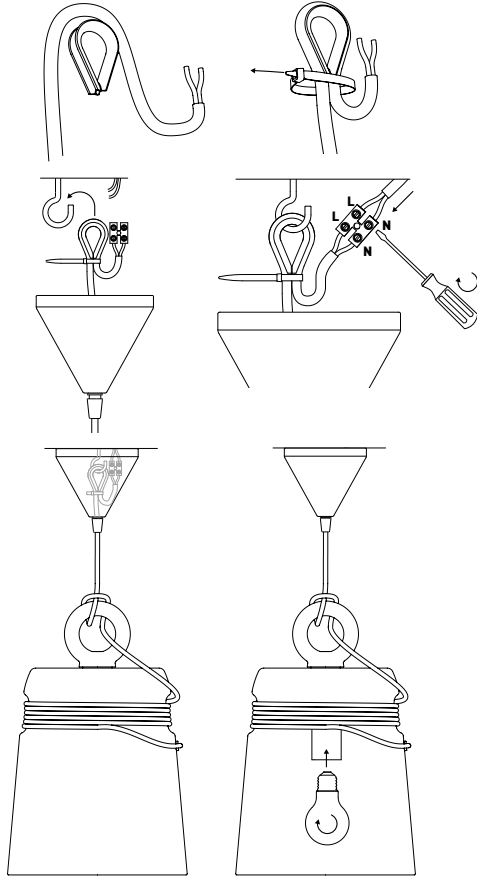
De electrical wire used in this product conforms by the following standards CEI 20-20/1 Ed.96, 20-20/2 Ed.96, 20-20/3 Ed.96 according to the standard documents and therefore matching the essential requirements of Standards: 73/23 and 93/68 CEE.

We, as Patrick Hartog Design, hereby declare that above mentioned product is safe for human use when used according to the manufacturer's instructions.



BEFORE YOU START

- Before you start, ensure electricity supply is disconnected at the fuse box!
- Connect the fitting and terminal block as shown in illustration and wiring diagram. Cover cables connected to the terminal block with 2 layers of insulation tape.



CHECK THAT:

- You have identified the mains cable correctly
- The connections are tight
- You have clamped the conductor not the cables' insulation
- No loose strands have been left out of the terminal block

MAINS SUPPLY CABLE

Live[L] = Brown or red
Neutral[N] = Blue or black

LIGHT FITTING

Live[L] = Brown
Neutral[N] = Blue

- Cover unused earth cable with two layers of insulation tape.
- Position the terminal block and excess cable in the ceiling cap void.

ADVISE MOUNTING THE LIGHT:

It's advised to hang the light on an already existing hook in the ceiling outlet. When no hook is present follow the below advise.

1. Identify in what kind of ceiling you are screwing the hook.
2. Use a plug that is advised for the type of ceiling you are screwing in
3. Use a screw size that is advised on the manual/description of the plug
4. Always follow the manual/description supplied with the plug

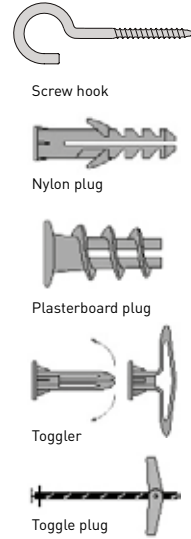
TYPE OF PLUG

Nylon plug: for solid building materials (solid walls/ceiling)

Plaster board plug: specially meant for plaster board building material, screwed in the plasterboard by means of a special tool (mostly supplied with the plug)

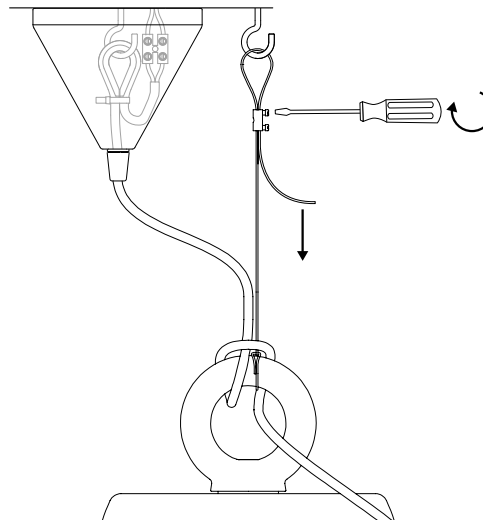
Toggle hollow wall plug: specially meant for hollow walls/ceilings. Different types exist for different board thicknesses.

Toggle plug: specially meant for thick hollow walls. Sometimes available including hook.



MOUNT WITH STEEL WIRE (SUPPLIED WITH THE LIGHT)

- For an extra strong mounting of the Cable Light please make use of the supplied steel wire and connector.
- Connect the wire as described in the illustrations
- Adjust the length of the steel wire by (un)screwing the adjustment block.
- Make sure the screws of the adjustment block are screwed tight.



SHORTENING ELECTRIC CABLE:

If the electric cable is too long, please follow the below guidelines for making it shorter.

Do not unwrap or wrap extra cable around the ceramic shade.

Only perform this procedure on a disconnected electric wire (never on a live wire).

1. Place a shrink sleeve around the cable.
2. Cut the cable at shrink sleeve with a pair of scissors
3. Add another shrink sleeve

4. Precisely cut in the textile cover and pvc sleeve of the cable. Don't cut through the red and brown wires.
5. Pull the cut textile cover and pvc sleeve of the cable.
6. Lastly strip the blue and brown cables and connect them to the terminal block.

